

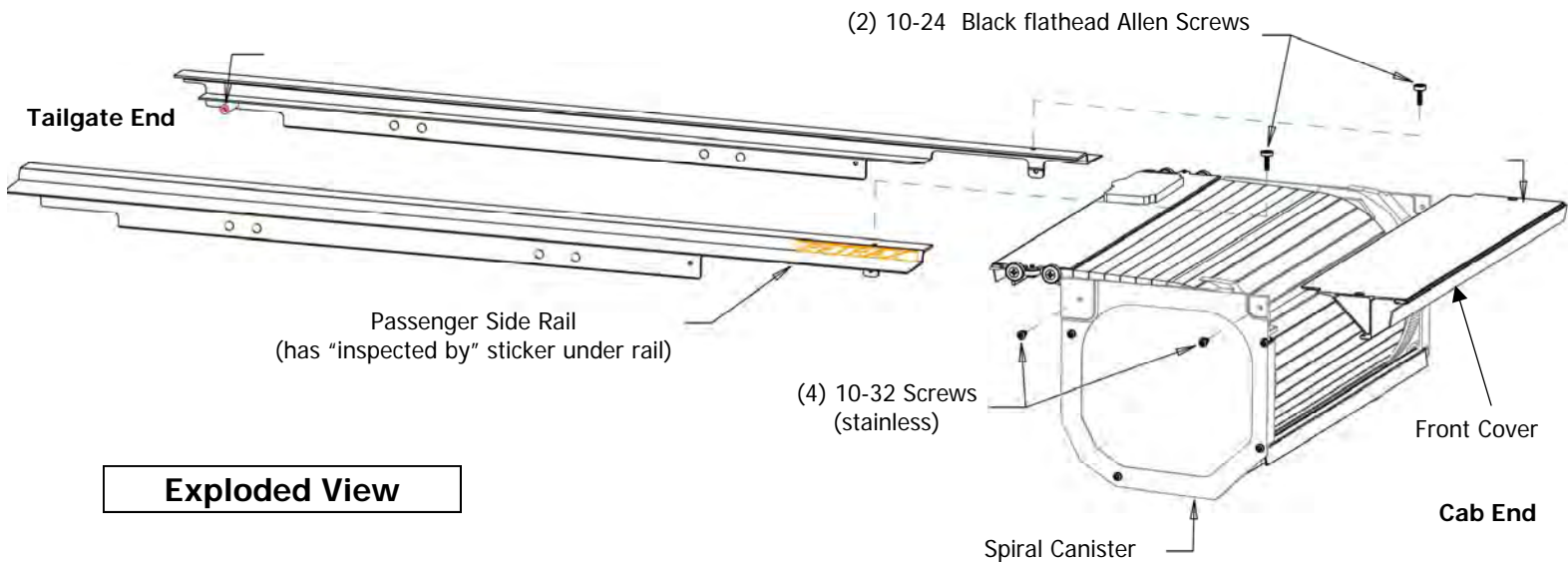
RETRAX PRO™

#4072 Nissan Frontier

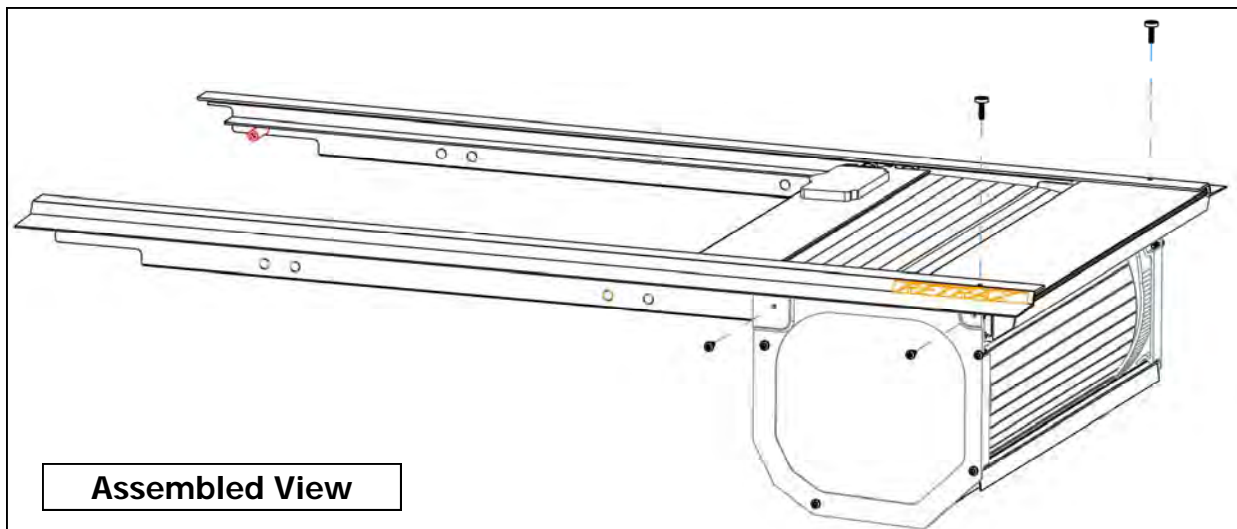
Installation Instructions (with or without UtiliTrack Option)

Owner's Manual

Please Save Instructions:
Important Warranty and Maintenance
information enclosed



Exploded View



Manufactured in the USA by
APPLIED PRODUCTS, INC.
An Employee Owned Company
917 South 46th Street
Grand Forks, ND 58201
(701) 746-5596 (Fax) 746-5598
www.retrax.com
retrax@retrax.com
800-206-4070

Scan here to view a brief video
on how to install a
RETRAX cover.

Make sure that you have a
QR Code reader application
installed on your smartphone.



Thank you for your purchase of the **RETRAX™** bed cover system. Please read and follow instructions **Before un-boxing and assembling the bed cover check for shipping damage.**

Keep boxes and packing until installation is complete.

Unpack carefully to prevent scratching. Remove protective films from cover and canister **after** installation is complete.

REMOVE the protective plastic films before exposing to direct sunlight.

DO NOT lubricate RETRAX—See Maintenance page for proper care.

Parts checklist for large box

Instruction packet with keys
Cover rolled into canister-spiral assembly
Front cover for canister and Drain tube kit

Parts checklist for rail box

Driver's side rail and Passenger side rail
Clamp box - Includes mounting hardware shown below

Tools Needed

#2 Phillips screwdriver
9/16" wrench



These parts are used on all Frontiers **with or without** the Utilitrack rail system

**DO NOT USE LOCTITE!
USE OF LOCTITE VOIDS WARRANTY**



These clamps are used only on Frontiers **without** the Utilitrack rail system



These parts are used only on Frontiers **with** the Utilitrack rail system

Pre-assembly guidelines

Two or more people are recommended for installation and you should allow 1 to 1 ½ hours to complete. Floor space about the size of pickup box is needed for assembly of the bed cover and rails. Clear out the pickup box and clean the front and side bed rails.

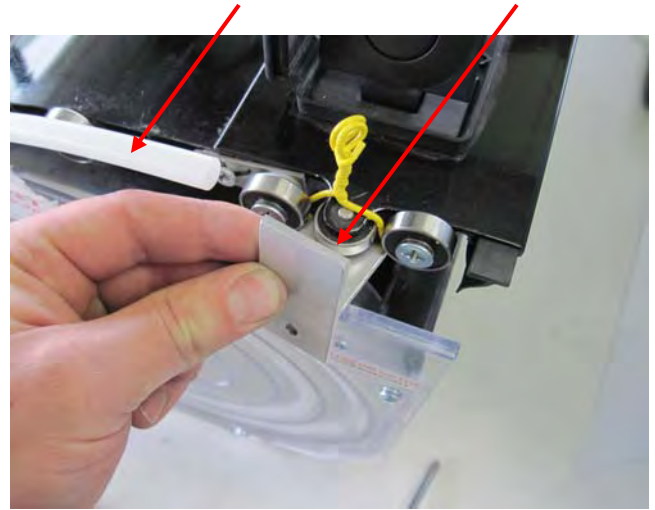
Plastic bed liners may have to be cut or notched at the front of the bed if they touch the rolling cover or interfere with proper canister location. A jig saw with medium tooth blade or a Dremmel or Roto-Zip tool works well. The front lip of the bed liner may have to be cut off if side bed rail caps are not installed.

Drain tubes (2) 1/2" drain tubes connect to the bottom of canister and can exit out the floor or front of the pickup bed. Some pickups have drain holes in the front of the bed towards each corner; others have plastic or rubber plugs that can be drilled for the tubes. If needed a 1/2" hole can be drilled into both front corners of the box. For pickups equipped with plastic bed-liners, holes for the drain tubes need to be drilled through the plastic only. We recommend drilling additional holes through the floor of a plastic bed liner at the lowest points in front to allow for water drainage.

STEP 1 Remove the shipping bracket and yellow wire. Completely remove white shipping tubes.

Shipping tube Shipping bracket
Remove these items only!

The shipping brackets can be disassembled simply by removal of the 10-32 screws fastened to each side of the canister **(Remove these items only)**. The tail-gate can then be lifted away from the canister allowing for the removal of the shipping bracket by sliding the T-channel out from the wire ties. The wire ties can then be removed from the bearings without the need for cutting the wire. Pull white shipping tubes completely out of the canister.



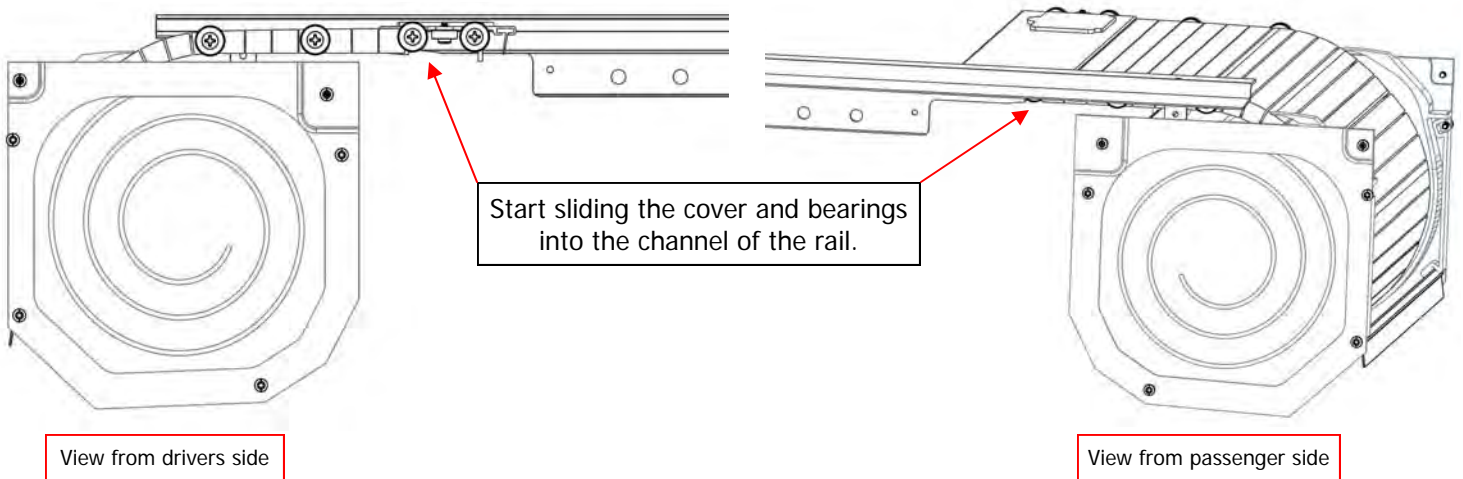
Driver side view of assembly

DO NOT ALLOW THE COVER TO ROLL INTO THE SPIRAL BECAUSE THE BOTTOM OF THE LOCK CAN DAMAGE THE COVER!

STEP 2 Install the passenger rail to the spiral.

Lift up the lock cover and **open lock** by pressing release button.

Passenger rail has "inspected by" sticker under the front of the rail

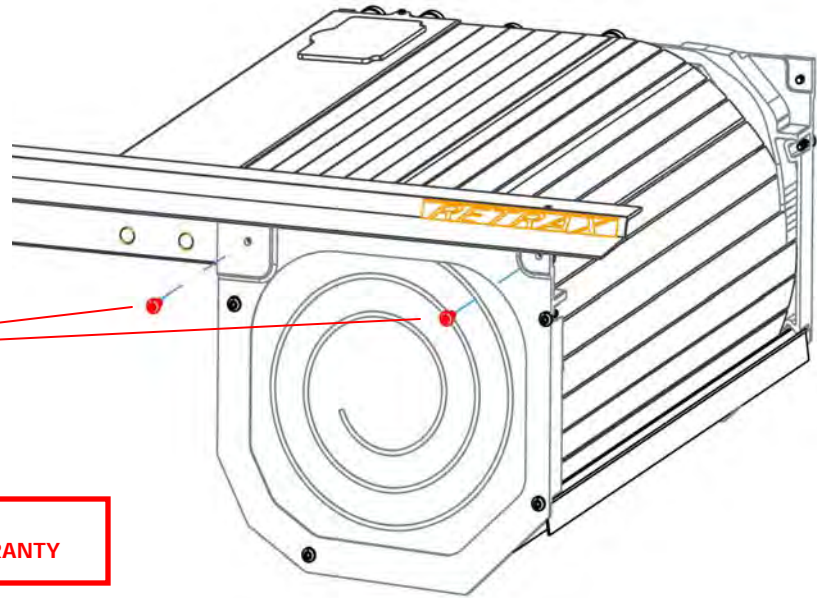


View from drivers side

View from passenger side

STEP 2 continued.

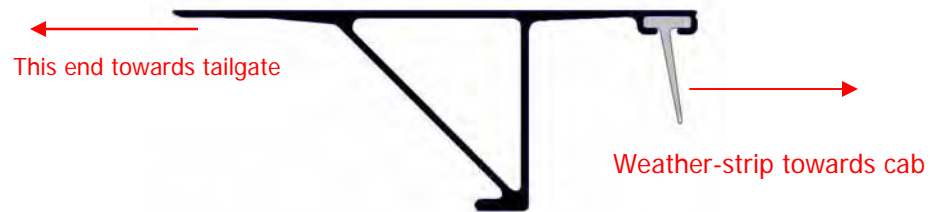
Slide the rail over the cover until the two threaded holes in the rail are lined up **behind** the two holes in the spiral. Attach using two of the **10/32 by 7/16" screws**. **Tighten** using a manual #2 Phillips screwdriver.



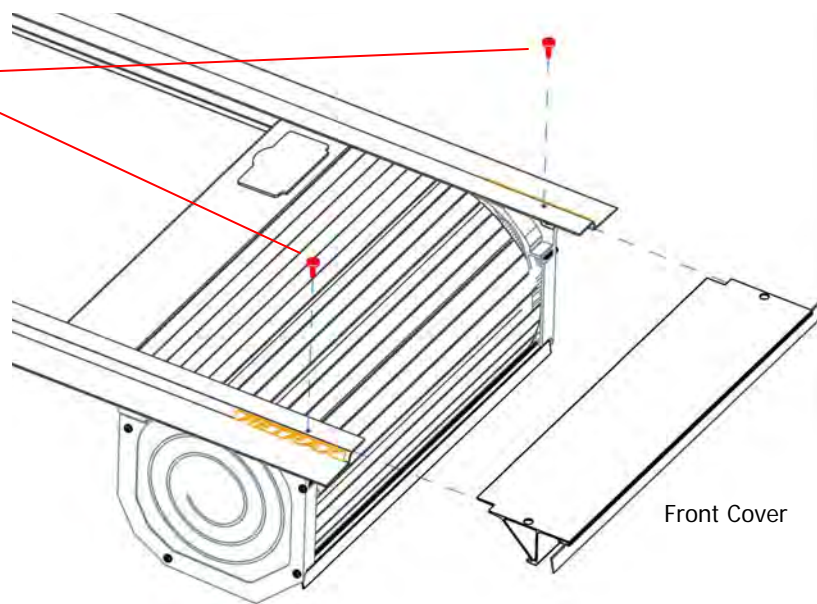
DO NOT USE LOCTITE!
USE OF LOCTITE VOIDS WARRANTY

STEP 3 Install the drivers rail. Pull the cover out of the canister 6"-8" (See **PowertraxPRO Installation Supplement on how to mover electric cover**). **Caution: DO NOT** allow cover to roll back into canister until rail is installed. Repeat Step #2 to install the driver's rail. **Be sure all rail mounting screws are tight.**

SIDE VIEW OF FRONT COVER



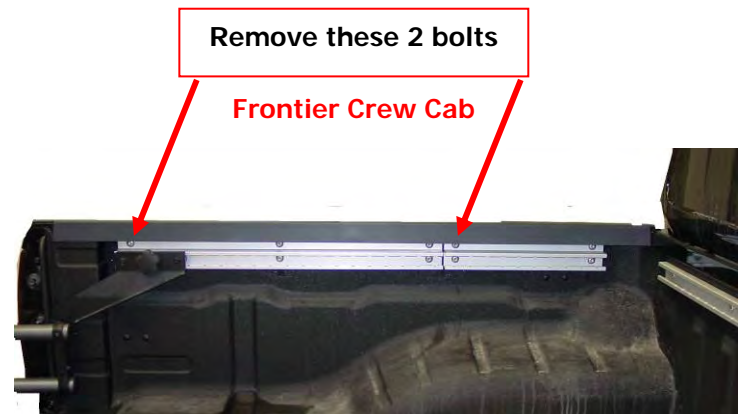
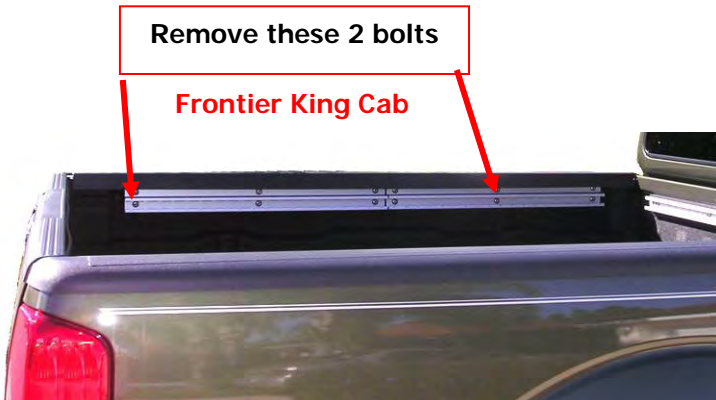
STEP 4 Install the front cover. The front cover is attached below the rails. Hold the cover level and push both ends in evenly to help slide it into place. When the holes are lined up, start threading the (2) **Front Cover mounting screws**. Tighten the 2 screws securely using the enclosed 1/8" Allen wrench.



2005-up NISSAN FRONTIER with UTILITRAC OPTION

If your truck **does not** have the Nissan Utilitrack rail option disregard this page and go to Step 5 on next page.

If your truck **does have** the Utilitrack rail option, follow instructions through STEP 4. Then remove all 8 white nylon rail adjustment spacers from the rails and proceed with instructions below. You will not be using the 4 C-clamps.
TOOLS NEEDED: T40 Torx wrench and 7/16" wrench. The hardware used is shown below.

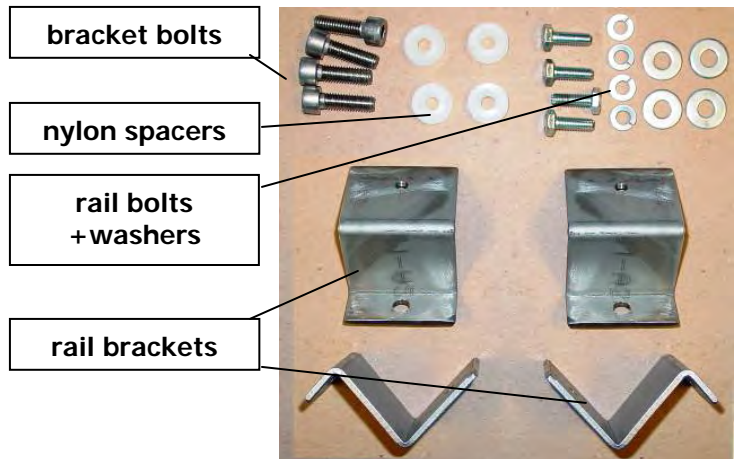


Remove 2 top bolts as shown above from both the driver's and passenger side Utilitrack rails. Attach all 4 rail brackets to these holes using the 4 bracket bolts (long leg points up). Do not tighten completely yet.

Lift the bed cover into place, see Step #5. Attach the RETRAX rails to the rail brackets. Use a rail bolt with lock washer and flat washer and insert through hole in RETRAX rail then use 1 white nylon washer between the rail and rail bracket. Start threading the rail bolt into the rail bracket. Repeat this at the remaining 3 brackets. Tighten the rail brackets to the bed after all rail bolts are started, and then tighten the rail bolts. Skip Steps 6-8.

Continue installation by measuring the distance between the rails. (Step #9)

To decrease distance between the rails you add spacers (washers) next to the white nylon washer between the RETRAX rail and the rail bracket. To increase the distance between the rails you remove washers or use thinner washer(s) in place of the white nylon washer. Skip step #11 and proceed with step #12.



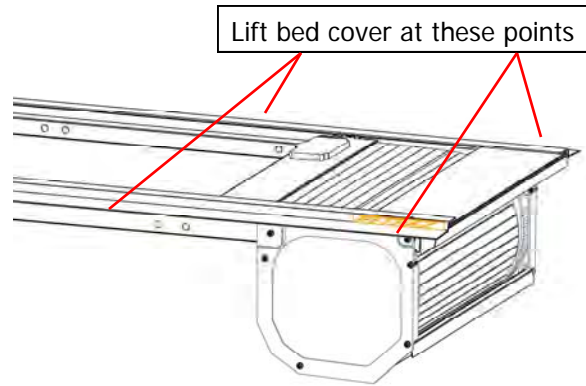
Bottom view of RETRAX rail with mounting hardware attached. (not mounted on truck)

STEP 5 Lift the assembled cover into the bed.

Roll the cover into the canister and push down firmly on the rounded end of the lock until it latches. Close the tailgate on the pickup. Using two people, lift the bed cover by the front of the rail and two feet to the back. Set the assembly in place at the very front of the bed. **NOTE: The rubber weather-strip on the front cover should lie on top of the pickup's front rail - pointed towards the cab.**

(NOTE: If needed, gently push and twist the rails slightly inward to drop into place. If there are aftermarket bed rail caps or an over the rail spray-in-liner installed, then the white nylon rail adjustment screws may have to be turned counter-clockwise 2-3 complete turns. Turn out **all screws evenly** until the cover drops into place.)

A latch is found on a Manual Cover Only. See PowertraxPRO Installation Supplement on how to move electric cover.



STEP 6 Position the cover.

Move the rails forward or back to achieve a 1/8" gap between the bottom notch of the rail and the inside face of the closed tailgate or tailgate protector. Measure both sides. Use the supplied 1/8" thick measurement tool to achieve the correct 1/8" gap.



Note: Plastic bed liners may have to be cut at the front of bed so the bed cover can be moved forward to achieve proper 1/8" clearance at the tailgate.

Note: Keep rails from moving once in position 1/8" from the tailgate.

STEP 7 Install the front set of clamps.

Start with the two clamps closest to the canister. If your model has two sizes of clamps, the clamps for the front are marked CAB. Proper clamp location is between the two adjustment screws. The adjustment screws are set at different depths depending on your model. These screws may be adjusted later. **DO NOT ADJUST NOW!**



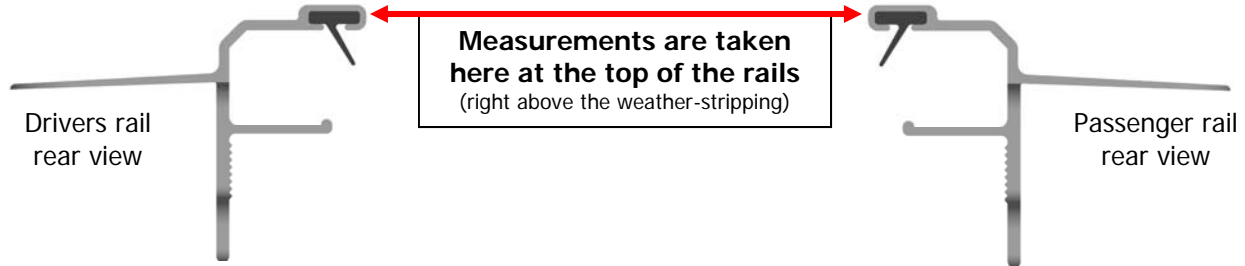
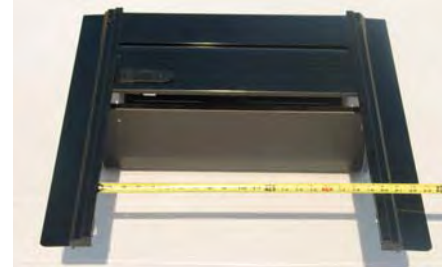
The clamps should be installed as high up as possible to engage more teeth on the rail. Using a 9/16" wrench, tighten the clamps. If the clamp wants to rotate while tightening, hold with pliers or vice-grip.

STEP 8 Install the rear set of clamps.

Attach the rear set of clamps. Push down on the rail as you tighten the clamp bolts for a better seal on top of the pickup box rails. The rear of the rail may need to be tilted up or down for best fit over the tailgate or tailgate protector.



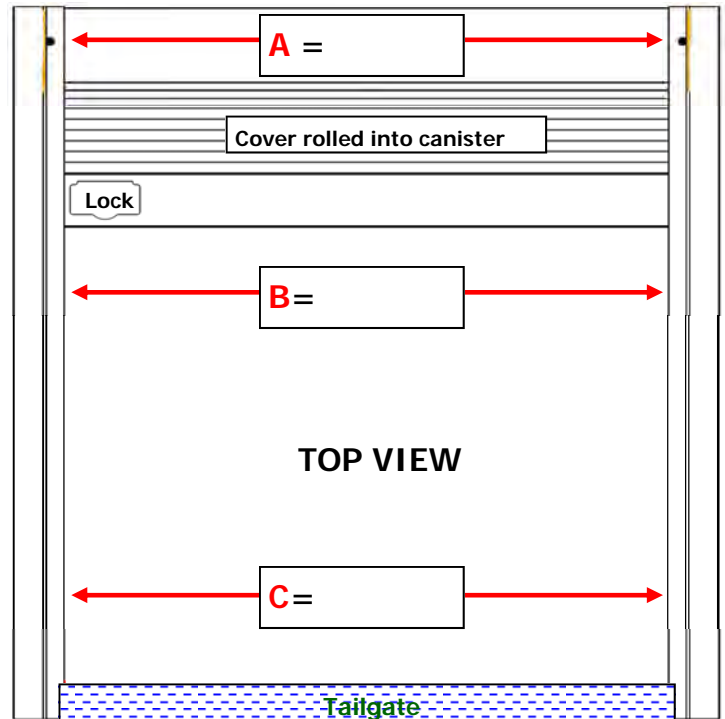
STEP 9 Measure the distance between the rails.
The rails must be the same distance apart from each other (parallel) from the front to the rear. The following steps show how to measure and adjust the rails. Measurements are taken at 3 places starting at the front. The photo to the right shows measurement being taken with a tape measure.



STEP 9 a. Measure and record the distance between the rails at **A** - next to front cover screws. This is your base measurement.

9 b. Measure and record the distance at **B** above the front clamps. (with clamps tight)

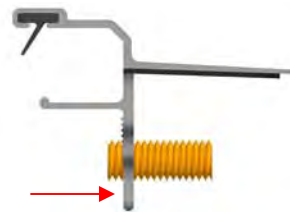
9 c. Measure and record the distance at **C** above the rear clamps. (with clamps tight)
If the measurements at B and C are not the same as A then adjustments are needed. See STEP 10.



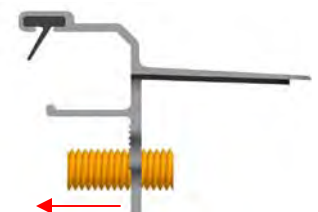
STEP 10 Adjust distance between the rails.



To adjust the distance between the rails, remove the clamp and turn both of the white nylon adjustment screws using a 1/4" Allen wrench.



*If the rails are too far apart, turn the adjustment screws in. (clockwise)

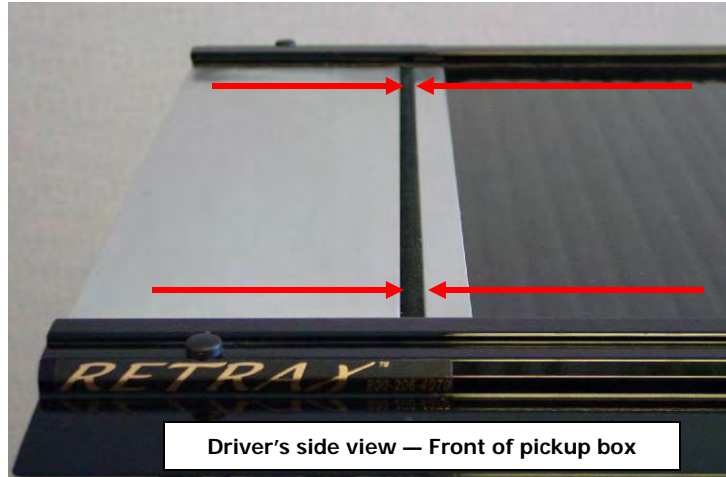


*If the rails are too close together, turn the adjustment screws out.

One complete turn of the rail adjustment screw equals about 1/16" of adjustment. Adjust the adjustment screws evenly between the driver's and passenger side at each set of clamps.

Continue adjustments until the distance at points B and C are the same as point A when the clamps are tight.

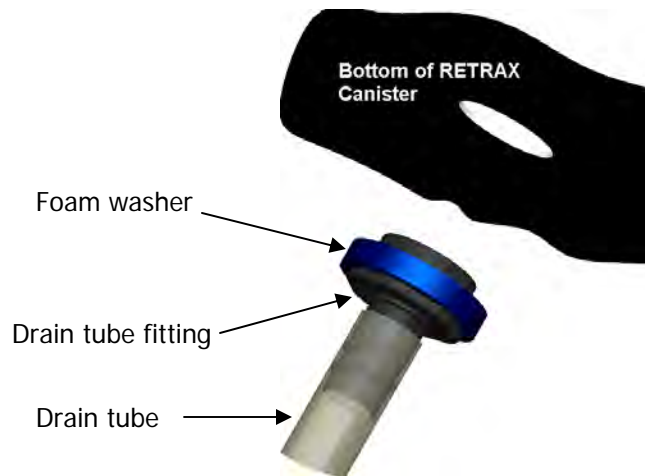
STEP 11 Check for proper fit between the front cover and the rolling cover. Using the lock handle, pull the cover closed over the tailgate and latch. The amount of weather-strip showing at the front of the rolling cover should be close to equal on both the passenger and drivers sides. (Photo shows unpainted parts for clarity) If there is less weather-strip exposed on one side, adjust that rail by removing the clamps and moving that rail towards the cab. Replace the clamps and close the cover. Check again for equal spacing at the front and readjust if needed.



Driver's side view — Front of pickup box

STEP 12 (a)

Remove plastic film from the canister. Place the foam washers over the drain tube fittings. Push the assembled tubes into the 2 holes on the bottom of the canister. The fitting should lock into place; test by pulling down on the fitting, it should not pull out of canister.



STEP 12 (b) Finish Installing the drain tubes. On some models there are factory drain holes in both front corners, on others there are plastic plugs that can be drilled out for the tubes. You can enlarge existing holes or drill new holes in the front wall or floor if needed. Be careful of what is behind when you drill. If using a plastic bed liner, then holes need to be drilled through the liner only. Cut the tubes to length to fit in desired locations.

STEP 13 Open and close the cover to insure it is rolling without rubbing or binding. Now remove the plastic films from the cover. **(Remove film before exposing to the sun)**

FINAL NOTES: Be sure that all clamps are tight. The top surface of the rails should be level. Loosen the clamp, adjust rail and retighten clamp if needed. **On some models, a better fit over the tailgate or tailgate protector maybe obtained if the rear of the rail is tilted up or down slightly.** You should be able to open and close easily. The rolling resistance will decrease over time as the weather-stripping and bearings break-in.

The lock will push down easily when the cover is completely closed at the tailgate. You also will be able to latch and lock the cover anywhere else along the rail by **pushing down firmly on the rounded end of the lock handle.** In any part way open position; two thumbs may be needed to latch the cover in place. The effort needed to latch the cover will decrease as the lock mechanism takes a set. The lock can be adjusted if needed. At the bottom of the lock is an adjustable steel tip that contacts the rail. To increase or decrease the pressure, loosen the jam nut with a 7/16" wrench, adjust the steel tip in or out with an 1/8" Allen (hex) head wrench, then hold steel tip while re-tightening the jam nut.

DO NOT lubricate the bed cover!

See maintenance on back page

RetraxPRO MAINTENANCE AND USE INSTRUCTIONS

USE

The Retrax cover has superior quality, rail weather-strip seals. These seals help minimize water intrusion into the pickup bed. The initial break-in period for the rail weather-strip is about 48 hours in the fully closed position. Your cover may be slightly harder to open and close during the break-in period.

Opening and Using the Cover

Using your **RetraxPRO** cover is as simple as opening the lock cover and pressing the button at the center of the latch to pop open the handle (1). If properly installed, the cover should be able to roll open and closed easily with one hand (2). During the break-in period more effort may be needed, but you still should be able to roll the cover open and closed with one hand.



Closing and Locking the Cover

To latch your **RetraxPRO** cover anywhere along the rail, push down firmly on the end of the lock handle using both thumbs (3). It takes this amount of force because it is a friction lock in any open position. The **RetraxPRO** cover is easier to latch in the fully closed position due to a recess in the rail.

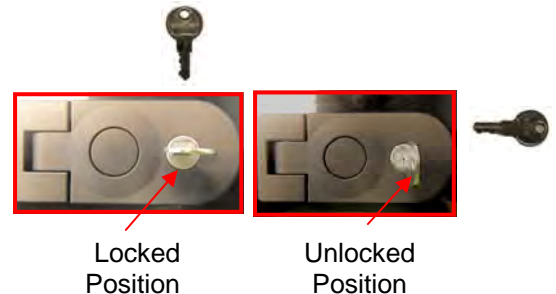


The teeth of the **RETRAX™** keys always face out

Securing Loose Cargo

RetraxPRO covers make transporting loose and large pieces of cargo safe and secure; a unique feature that most tonneau covers cannot claim.

To secure any item too big to fit under the cover, latch the lock handle shut against the item to help keep it in place (4).



MAINTENANCE & CARE

Cleaning and Caring for Your Cover

Treat your **RetraxPRO** cover like you would treat the hood of your truck; you can wash and wax your cover like you would your pickup. The weatherstripping on your cover may absorb soapy residue from a car wash, so we recommend wiping down the inside of your rails from time to time (5).

Important:

NEVER spray any lubricant or cleaner in the rails. This will void your warranty. The ball bearings are sealed and will not need any sort of lubricant or spray.





The Last Bed Cover You'll Buy
THE LAST BED COVER YOU'LL BUY

Warranty Statement

Applied Products, Inc. (referred to as manufacturer) warrants each new RetraxPRO retractable pickup bed cover to the original owner as follows:

The RetraxPRO has a limited lifetime warranty for the failure of materials and workmanship. Warranty replacement costs will be prorated after three (3) years.

Items not covered under the warranty:

- Normal wear over the life of the RetraxPRO
- Water intrusion at any location or any damage caused as a result
- Other dealer and/or purchaser installed parts & accessories

Conditions which will void all warranty:

- Lubrication of the rails or sealed ball bearings
- Altering the RetraxPRO in any manner without written approval from the manufacturer
- Use for any purpose other than the normal intended use
- Misuse, negligence or accident
- Installation of any other part or accessory which comes in contact with or may interfere with the RetraxPRO without written approval of the manufacturer
- Failure to register this warranty with the manufacturer within thirty (30) days from the date of delivery
- Failure to adequately secure cargo to prevent damage to the RetraxPRO
- Acts of God or other external causes

Conditions and Limitations

This warranty is subject to certain conditions and limitations including, but not limited to, the following:

- Any part of a RetraxPRO retractable pickup bed cover that is found to be defective under the terms of this warranty will be repaired or replaced using either new or reconditioned parts at the discretion of the manufacturer.
- In determining what constitutes a failure under the terms of this warranty the decision of the manufacturer will be final.
- This warranty is applicable to the original purchaser only and is not transferable to subsequent purchasers.
- The manufacturer does not accept any responsibility in connection with the installation of any of its products by its dealers or agents.

- The manufacturer does not undertake responsibility to any purchaser for warranty express or implied by any of its dealers, distributors or agents beyond which is contained herein.
- Without regard to an alleged defect of its products the manufacturer under any circumstances does not assume responsibility for loss of time, inconvenience, revenue, or other consequential damage including, but not limited to, expenses for telephone, food, lodging, travel, loss or damage to the vehicle the products are installed on or loss or damage to personal property of the purchaser or user of the products.
- The manufacturer reserves the right to make changes in the design of, improvements to, or warranty of its products without imposing any obligation upon itself to provide the same for any products theretofore manufactured.
- Under no circumstances shall Applied Products, Inc. be liable for special, indirect, incidental or consequential damages sustained in connection with the RetraxPRO cover

Some states do not allow limitations on how long the implied warranty lasts, so the aforementioned limitations may not apply to you.

Claim Procedure

If a part fails, the purchaser should return to the selling dealer to determine if the failed part is covered under the terms of this warranty. If a warranty claim is necessary, the dealer will contact Applied Products, Inc. If it is impractical for the purchaser to return to the selling dealer, then the purchaser may contact Applied Products, Inc. directly at 1-800-206-4070. The defective part, along with a copy of the original bill of sale, must be returned prepaid to Applied Products, Inc. at 917 S. 46th St. Grand Forks, ND 58201. At the manufacturer's discretion, photos, a copy of the original bill of sale and the serial number may be submitted in lieu of the returned damaged product to Applied Products, Inc. After determining the validity of the warranty claim, Applied Products, Inc. will ship a replacement part prepaid to the customer. Labor costs to replace defective parts are the responsibility of the purchaser.

If at any time you need warranty assistance, please call 1-800-206-4070 or email us at retrax@retrax.com and one of our technical reps will be happy to help you. When calling or emailing, please be prepared to reference your part number and serial number.

An Employee Owned Company
RetraxPRO— Manufactured by Applied Products, Inc., 917 S 46th St., Grand Forks, ND 58201
www.retrax.com—800-206-4070—(701)746-5596—FAX (701) 746-5598



Made in the USA



Applied Products, Inc.

917 S. 46th St.
Grand Forks, ND 58201
Tel: 701-746-5596
Toll Free: 800-206-4070
Fax: 701-746-5598
Web: www.retrax.com



**Made in the USA by
An Employee Owned Company**